

Lifting  
The World



## » TWO WORLDS, ONE IDEA

When Germany's KION Group acquired Baoli in 2009, the company recognised that Baoli's strength in manufacturing price-competitive forklift trucks and warehouse equipment was a perfect complement to the product offering of its Linde Material Handling brand.

Today, Baoli operates in over 80 markets around the world and employs over 700 staff at its Jingjiang city plant, where industry-leading components, technologies and production lines – re-modelled by KION and made in Germany – underpin its operational excellence.

In Australia, Baoli's value range is backed by the nationwide service and support network of Linde Material Handling. With 155 qualified mobile technicians, all trained and graded on

Baoli products, and fully equipped workshops and spare part stores in each capital,

Baoli customers enjoy unrivalled service and support.

**KION**  
GROUP



STILL



DEMATIC



Linde Material Handling Pty Ltd  
Australian and New Zealand Network Coverage  
Tel: +(61) 2 9831 9500 or 1300 710 810  
Email: [contact@lindemh.com.au](mailto:contact@lindemh.com.au)  
[www.lindemh.com.au](http://www.lindemh.com.au) / [www.baoli-mh.com](http://www.baoli-mh.com)

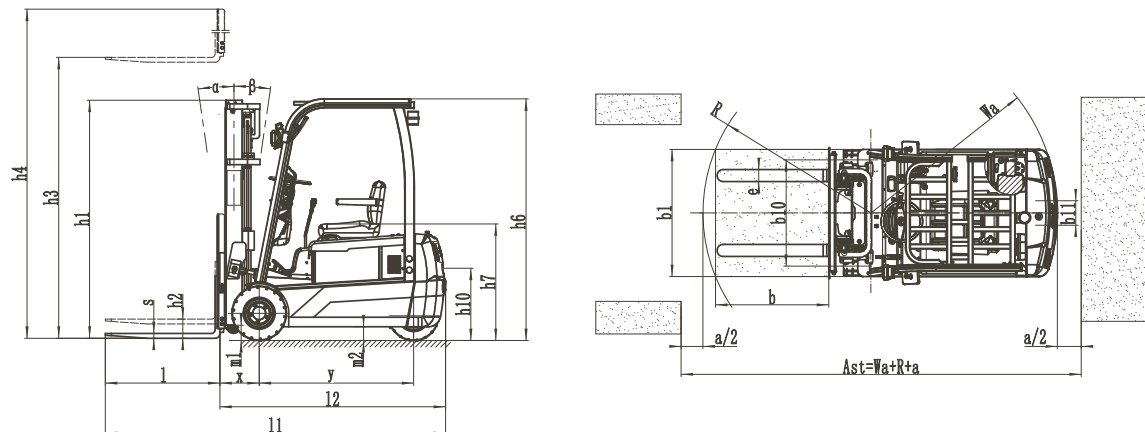
## KBE(T) 18/20/25 Electric Forklift Truck





## >> Specifications

	Item Description	Unit	3 wheel		4 wheel	
			KBET18	KBET20	KBE20	KBE25
Characteristics	1.1 Manufacturer		Baoli	Baoli	Baoli	Baoli
	1.2 Model		KBET18	KBET20	KBE20	KBE25
	1.3 Power Unit		Electric	Electric	Electric	Electric
	1.4 Operation		Seated	Seated	Seated	Seated
	1.5 Load capacity / Load	Q (kg)	1800	2000	2000	2500
	1.6 Load centre distance	c (mm)	500	500	500	500
	1.8 Axle centre to fork face	x (mm)	365	396	434	434
	1.9 Wheelbase	y (mm)	1295	1435	1500	1500
	Weights	2.1 Service weight	(kg)	3260	3650	3860
2.2 Axle load with load, front / rear		(kg)	4530/530	4970/680	5090/770	5760/860
2.3 Axle load without load, front / rear		(kg)	1500/1760	1650/2000	1740/2120	1850/2270
Wheels/tyres	3.1 Tyres rubber, SE, pneumatic, polyurethane		S/E	S/E	*P/S/E	*P/S/E
	3.2 Tyre size, front		18x7-8	200/50-10	23x9-10-16PR	23x9-10-16PR
	3.3 Tyre size, rear		16x6-8	16x6-8	18x7-8-14PR	18x7-8-14PR
	3.5 Wheels, number front/rear (x = driven)		2x/2	2x/2	2x/2	2x/2
	3.6 Tread width, front	b10 (mm)	890	925	1040	1040
	3.7 Tread width, rear	b11 (mm)	205	205	950	950
	Dimensions	4.1 Mast / fork carriage tilt, forward / backward	a/b (°)	5/7	5/7	6/10
4.2 Height of mast, lowered		h1 (mm)	2005	2007	2050	2050
4.3 Free lift		h2 (mm)	122	98	100	100
4.4 Lift		h3 (mm)	3000	3000	3000	3000
4.5 Height of mast, extended		h4 (mm)	3945	4030	4040	4040
4.7 Height of overhead guard (cabin)		h6 (mm)	2015	2075	2177	2177
4.8 Height of seat / stand on platform		h7 (mm)	958	1065	1147	1147
4.12 Towing coupling height		h10 (mm)	600	630	232	232
4.19 Overall length		l1 (mm)	2850	3112	3360	3405
4.20 Length to fork face		l2 (mm)	1930	2042	2290	2335
4.21 Overall width		b1/b2 (mm)	1066	1120	1265	1265
4.22 Fork dimensions DIN ISO 2331		s / e / l (mm)	35/120/920	40x122x1070	40/122/1070	40/122/1070
4.23 Fork carriage to ISO 2328, class / type A, B			ISO II/A	ISO II/A	ISO II/A	ISO II/A
4.24 Width of fork carriage		b3 (mm)	968	1040	1040	1040
4.31 Ground clearance, below mast		m1 (mm)	120	114/124	115	115
4.32 Ground clearance, centre of wheelbase		m2 (mm)	110	105/110	140	140
4.34.1 Aisle width for pallets 1000 x 1200 crossways		Ast (mm)	3241	3360	3754	3804
4.34.2 Aisle width with pallet 800 x 1200 along forks		Ast (mm)	3365	3485	3954	4004
4.35 Turning radius		Wa (mm)	1550	1640	2120	2170
Performance		5.1 Travel speed, with / without load	(km/h)	13.5/15	13/14	12/14
	5.2 Lifting speed, with / without load	(m/s)	0.30/0.47	0.30/0.40	0.31/0.42	0.30/0.40
	5.3 Lowering speed, with / without load	(m/s)	0.48/0.42	0.46/0.42	0.45/0.41	0.45/0.41
	5.8 Max. gradeability, with / without load (5 minute)	(%)	20/20	15/18	12/15	12/15
5.10 Service brake		Electric/mechanical	Electric/mechanical	Electric/mechanical	Electric/mechanical	
Drive	6.1 Drive motor rating S2 60 min	(kW)	2x6.5	2x6.5	8	8
	6.2 Lift motor rating at S3 15%	(kW)	15	15	15	15
	6.4 Battery voltage	(U/V)	48	48	48	48
	6.4.1 Nominal capacity K5	(KS/Ah)	505/560	625/700	630/700	630/700
	6.5 Battery weight	(kg)	810-920	940/1080	1010-1160	1010-1160
Others	10.1 Operating pressure for attachments	(bar)	160	125	160	160
	10.7 Sound pressure level LpAZ (at the driver's seat)	(dB(A))	≤75	≤75	≤75	≤75
	Drive control		AC	AC	AC	AC



## >> Mast Specifications

KBET18								
Mast type	Max. height	Rated capacity load center 500mm		Height		Free-lift height		Mast angle
				closed height	with carriage	without carriage	with carriage	
	mm	1.8T	(kg)	mm	mm	mm	mm	
VM Standard wide-view	3000	1750		2005	4042	122	122	5/7
	3300	1750		2145	4342	122	122	5/7
	3500	1750		2245	4542	122	122	5/7
	4000	1600		2545	5042	122	122	3/5
VFHM Full free triplex	4000	1500		1940	5042	1400	938	3/5
	4350	1400		2065	5392	1525	1063	3/5
	4500	1400		2115	5542	1575	1183	3/5
	4700	1300		2185	5742	1645	1183	3/5
	4800	1300		2215	5842	1745	1213	3/5
	5000	1200		2315	6042	1775	1313	3/5
	5400	1000		2440	6442	1900	1483	3/5
	6000	650		2665	7042	2125	1663	3/5

KBET20								
Mast type	Max. height	Rated capacity load center 500mm		Height		Free-lift height		Mast angle
				closed height	with carriage	without carriage	with carriage	
	mm	2.0T	(kg)	mm	mm	mm	mm	
VM Standard wide-view	3000	2000		2007	4030	98	-	5/7
	3300	2000		2157	4330	98	-	5/7
	3500	2000		2257	4530	98	-	5/7
	4000	2000		2557	4630	98	-	3/5
VFHM Full free triplex	4000	2000		2000	5034	1349	959	3/5
	4350	2000		2125	5384	1474	1084	3/5
	4500	1950		2175	5532	1524	1134	3/5
	4700	1900		2240	5728	1589	1199	3/5
	5000	1800		2418	6032	1767	1377	3/5
	5400	1700		2618	6432	1967	1577	3/5
	5500	1700		2652	6532	2001	1611	3/5
	6000	1600		2885	7032	2234	1844	3/5

KBE20/25									
Mast type	Max. height	Rated capacity load center 500mm		Height		Free-lift height		Mast angle	
				closed height	with carriage	without carriage	with carriage		front/back
	mm	2.0T	2.5T	(kg)	(kg)	mm	mm		
VM Standard wide-view	3000	2000	2500		2050	4040	100	100	6/12
	3300	2000	2500		2200	4340	100	100	6/12
	3500	2000	2500		2300	4540	100	100	6/12
	4000	1900	2300		2600	5040	100	100	6/8
	4500	1600	1800		2850	5540	100	100	6/6
VFHM Full free triplex	5000	1100	1300		3100	6040	100	100	3/6
	4000	1800	2200		1975	5040	1362	975	6/6
	4350	1700	1900		2100	5390	1487	1100	6/6
	4500	1600	1800		2150	5540	1537	1150	6/6
	4700	1400	1600		2215	5740	1602	1215	6/6
	4800	1400	1600		2250	5840	1637	1250	6/6
	5000	1300	1400		2393	6040	1780	1393	6/6
	5400	1100	1200		2593	6440	1980	1593	3/6
	5500	1100	1100		2627	6540	2014	1627	3/6
	6000	600	700		2860	7040	2247	1860	3/6

NOTE: The performance depicted represents nominal values obtained under typical operating conditions. Performance data may vary due to motor and system efficiency tolerances, and under different working conditions. The description and specifications included on this data sheet were in effect at time of printing. Linde Material Handling Pty Ltd reserves the right to make improvements and changes in specification or design without notice and without incurring obligation.