

Lifting
The World



»» TWO WORLDS, ONE IDEA

When Germany's KION Group acquired Baoli in 2009, the company recognised that Baoli's strength in manufacturing price-competitive forklift trucks and warehouse equipment was a perfect complement to the product offering of its Linde Material Handling brand.

Today, Baoli operates in over 80 markets around the world and employs over 700 staff at its Jingjiang city plant, where industry-leading components, technologies and production lines – re-modelled by KION and made in Germany – underpin its operational excellence.

In Australia, Baoli's value range is backed by the nationwide service and support network of Linde Material Handling. With 155 qualified mobile technicians, all trained and graded on

Baoli products, and fully equipped workshops and spare part stores in each capital,

Baoli customers enjoy unrivalled service and support.

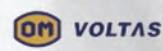
KION
GROUP



STILL



DEMATIC



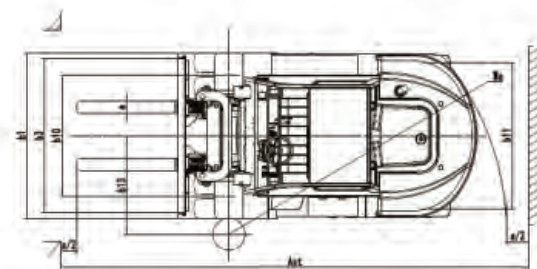
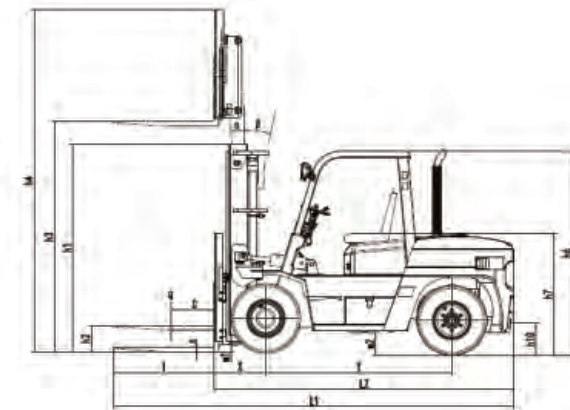
Linde Material Handling Pty Ltd
Australian and New Zealand Network Coverage
Tel: +(61) 2 9831 9500 or 1300 710 810
Email: contact@lindemh.com.au
www.lindemh.com.au / www.baoli-mh.com

KBD 70/80/100 Internal Combustion Forklift



>> Specifications

	Item Description	Unit	Design Value		
			KBD70	KBD80	KBD100
Characteristics	1.1 Manufacturer		Baoli	Baoli	Baoli
	1.2 Model		KBD70	KBD80	KBD100
	1.3 Power Unit		Diesel	Diesel	Diesel
	1.4 Operation		Rider Seated	Rider Seated	Rider Seated
	1.5 Load capacity / Load	Q (kg)	7000	8000	10000
	1.6 Load centre distance	c (mm)	600	600	600
	1.8 Axle centre to fork face	x (mm)	632	700	700
	1.9 Wheelbase	y (mm)	2250	2800	2800
	Weights	2.1 Service weight	(kg)	9600	12280
2.2 Axle load with load, front / rear		(kg)	14820/1760	18560/1720	21180/2040
2.3 Axle load without load, front / rear		(kg)	3960/5640	6660/5620	6260/6940
Wheels/tyres	3.1 Tyres rubber, SE, pneumatic, polyurethane		PN	PN	PN
	3.2 Tyre size, front		8.25-15-14PR	9.00-20/14PR	9.00-20/14PR
	3.3 Tyre size, rear		8.25-15-14PR	9.00-20/14PR	9.00-20/14PR
	3.6 Tread width, front	b10 (mm)	1470	1600	1600
	3.7 Tread width, rear	b11 (mm)	1700	1700	1700
	Dimensions	4.1 Mast / fork carriage tilt, forward / backward	a/b (°)	6/12	6/12
4.2 Height of mast, lowered		h1 (mm)	2500	2760	2760
4.3 Free lift		h2 (mm)	215	143	143
4.4 Lift		h3 (mm)	3000	3000	3000
4.5 Height of mast, extended		h4 (mm)	4429	4545	4545
4.7 Height of overhead guard (cabin)		h6 (mm)	2445	2567	2567
4.8 Seat height		h7 (mm)	1395	1512	1512
4.12 Drawbar height		h10 (mm)	356	478	478
4.19 Overall length		l1 (mm)	4852	5650	5780
4.20 Length to fork face		l2 (mm)	3632	4150	4280
4.21 Overall width		b1 (mm)	1995	2175	2175
4.22 Fork dimensions DIN ISO 2331		s / e / l (mm)	65/150/1220	80/160/1500	80/160/1500
4.23 Fork carriage to ISO 2328, class / type A, B			A	A	A
4.24 Width of fork carriage		b3 (mm)	1845	2239	2239
4.31 Ground clearance, below mast		m1 (mm)	160	215	215
4.32 Ground clearance, centre of wheelbase		m2 (mm)	190	340	340
4.34.1 Aisle width for pallets 1000 x 1200 crossways		Ast (mm)	5292	6545	6650
4.35 Turning radius		Wa (mm)	3460	4145	4250
4.36 Turning point minimum distance from the Truck Center Line	b13 (mm)	1095	1000	1000	
Performance	5.1 Travel speed, with / without load	(km/h)	22/27	24/29	22/28
	5.2 Lifting speed, with / without load	(mm/s)	420/555	380/405	340/390
	5.3 Lowering speed, with / without load	(mm/s)	350/285	380/350	438/276
	5.5 Tractive force (at 2km/h) with / without load	(KN)	51	50/45	50/45
	5.7 Gradeability (at 2km/h) with / without load	(%)	20	20	20
	5.10 Service brake		Mechanical/Hydra	Mechanical/Hydra	Mechanical/Hydra
Drive	7.1 Engine manufacturer/Engine type		Weichai WP4.1	Weichai WP4.1	Weichai WP4.1
	7.1 Engine (Optional)		ISUZU 6BG1QC-02	ISUZU 6BG1QC-02	ISUZU 6BG1QC-02
	7.2 Engine power in compliance with ISO 1585	(kW)	92	92	92
	7.3 Rated RPM	(r/min)	2200	2200	2200
7.4 Cylinder number/displacement	(cm³)	4/4090	4/4090	4/4090	
Others	7.9 On-board voltage	(v)	24	24	24
	8.1 Drive control type		Electron Hydraulic	Electron Hydraulic	Electron Hydraulic
	10.4 Volume fuel tank	(l)	140	210	210
	10.7 Sound pressure level LpAZ (at the driver's seat)	(dB (A))	100	100	100
10.8 Drawbar, model/Type DIN 15170		Pin	Pin	Pin	



>> Mast Specifications

KBD70							
Mast type	Max. height	Rated capacity load center 600mm	Height		Free-lift height		Mast angle
			closed height	with carriage	without carriage	with carriage	
		7.0T					
	mm	(kg)	mm	mm	mm	mm	
VM Standard wide-view	3000	7000	2500	4429	210	210	6/12
	3300	7000	2650	4729	210	210	6/12
	3500	7000	2750	4929	210	210	6/12
	4000	7000	3050	5429	210	210	6/12
VFHM Full free triplex	4500	7000	3300	5929	210	210	6/12
	5000	6800	3550	6429	210	210	6/6
	5500	6400	3850	6929	210	210	3/6
	6000	6100	4100	7429	210	210	3/6
	4000	6000	2490	5275	1574	1121	6/6
	4500	6000	2655	5775	1739	1286	6/6
	4800	6000	2760	6075	1844	1391	6/6
	5000	6000	2825	6275	1909	1456	3/6
	5400	5500	2960	6675	2044	1591	3/6
	6000	5300	3160	7275	2044	1791	3/6

KBD80								
Mast type	Max. height	Rated capacity load center 600mm	Height			Free-lift height		Mast angle
			closed height	fork positioner	Sideshifting fork positioner	fork positioner	Sideshifting fork positioner	
		8.0T						
	mm	(kg)	mm	mm	mm	mm		
VM Standard wide-view	3000	8000	2695	4147	4492	210	210	6/12
	3300	8000	2845	4447	4792	210	210	6/12
	3500	8000	2945	4647	4992	210	210	6/12
	4000	8000	3245	5147	5492	210	210	6/12
	4500	8000	3495	5647	5992	210	210	6/12
	5000	7750	3745	6147	6492	210	210	6/6
	5500	7400	4045	6647	6992	210	210	3/6
	6000	7000	4295	7147	7492	210	210	3/6

KBD100										
Mast type	Max. height	Rated capacity load center 600mm	Height				Free-lift height			Mast angle
			closed height	fork positioner	fork ≥ 2200	Sideshifting fork positioner	fork positioner	fork ≥ 2200	Sideshifting fork positioner	
		10.0T								
	mm	(kg)	mm	mm	mm	mm	mm	mm	mm	
VM Standard wide-view	3000	10000	2845	4307	4532	4492	210	210	210	6/12
	3300	10000	2995	4607	4832	4792	210	210	210	6/12
	3500	10000	3095	4807	5032	4992	210	210	210	6/12
	4000	10000	3395	5307	5532	5492	210	210	210	6/12
	4500	10000	3645	5807	6032	5992	210	210	210	6/12
	5000	10000	3895	6307	6532	6492	210	210	210	6/6
	5500	9000	4195	7032	7032	6992	210	210	210	3/6
VFHM Full free triplex	6000	8000	4445	7532	7532	7492	210	210	210	3/6
	4500	7500	2870	5872	6097	6057	1578	1353	1393	6/12
	4800	7500	2970	6172	6397	6357	1678	1453	1493	6/6
	5000	7500	3035	6372	6597	6557	1743	1518	1558	6/6
	6000	6000	3425	7372	7597	7557	2133	1908	1948	3/6

NOTE: The performance depicted represents nominal values obtained under typical operating conditions. Performance data may vary due to motor and system efficiency tolerances, and under different working conditions. The description and specifications included on this data sheet were in effect at time of printing. Linde Material Handling Pty Ltd reserves the right to make improvements and changes in specification or design without notice and without incurring obligation.