

»» TWO WORLDS, ONE IDEA

When Germany's KION Group acquired Baoli in 2009, the company recognised that Baoli's strength in manufacturing price-competitive forklift trucks and warehouse equipment was a perfect complement to the product offering of its Linde Material Handling brand.

Today, Baoli operates in over 80 markets around the world and employs over 700 staff at its Jingjiang city plant, where industry-leading components, technologies and production lines – re-modelled by KION and made in Germany – underpin its operational excellence.

In Australia, Baoli's value range is backed by the nationwide service and support network of Linde Material Handling. With 155 qualified mobile technicians, all trained and graded on Baoli products, and fully equipped workshops and spare part stores in each capital,

Baoli customers enjoy unrivalled service and support.

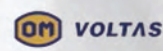
KION
GROUP



STILL



DEMATIC



KBG(D) 40/50S Internal Combustion Forklift



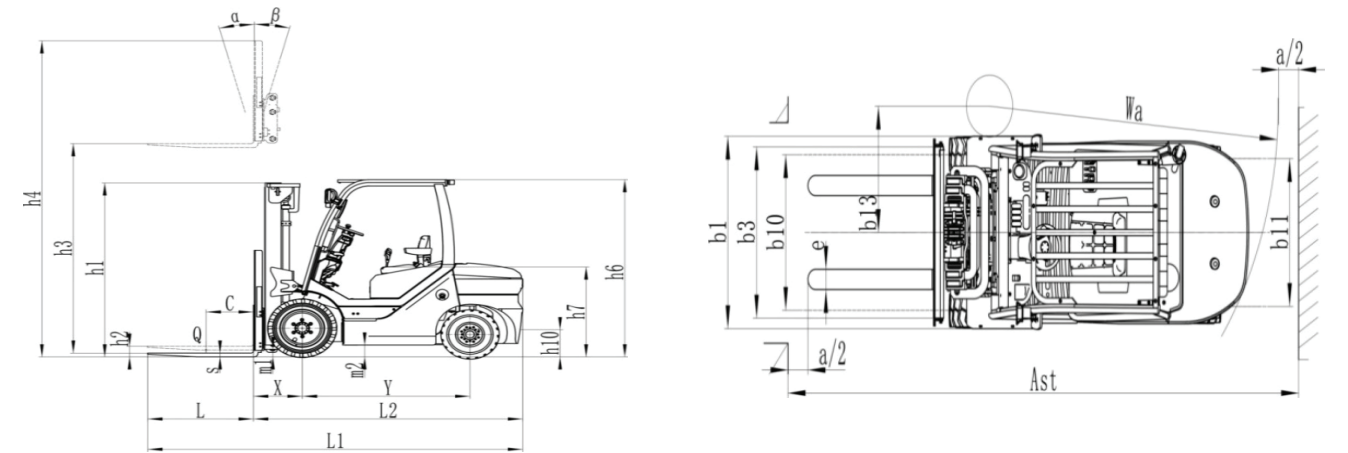
>> Specifications

	Item Description	Unit	Design Value			
			KBD40	KBG40	KBD50S	KBG50S
Characteristics	1.1 Manufacturer		Baoli	Baoli	Baoli	Baoli
	1.2 Model		KBD40	KBG40	KBD50S	KBG50S
	1.3 Power Unit		Diesel	Petrol/LPG	Diesel	Petrol/ LPG
	1.4 Operation		Rider Seated	Rider Seated	Rider Seated	Rider Seated
	1.5 Load capacity / Load	Q (kg)	4000	4000	5000	5000
	1.6 Load centre distance	c (mm)	500	500	500	500
	1.8 Axle centre to fork face	x (mm)	562	562	567	567
	1.9 Wheelbase	y (mm)	2000	2000	2000	2000
	Weights	2.1 Service weight	(kg)	6560	6380	7160
2.2 Axle load with load, front / rear		(kg)	9330/1280	9410/1150	11000/1260	10780/1360
2.3 Axle load without load, front / rear		(kg)	3210/3350	3180/3320	3100/4060	3030/4060
Wheels/tyres	3.1 Tyres rubber, SE, pneumatic, polyurethane		PN	PN	PN	PN
	3.2 Tyre size, front		300-15-20PR	300-15-20PR	300-15-20PR	300-15-20PR
	3.3 Tyre size, rear		7.00-12-12PR	7.00-12-12PR	7.00-12-12PR	7.00-12-12PR
	3.6 Tread width, front	b10 (mm)	1180	1180	1180	1180
	3.7 Tread width, rear	b11 (mm)	1190	1190	1190	1190
	Dimensions	4.1 Mast / fork carriage tilt, forward / backward	a/b (°)	6/12	6/12	6/12
4.2 Height of mast, lowered		h1 (mm)	2390	2390	2390	2390
4.3 Free lift		h2 (mm)	150	150	155	155
4.4 Lift		h3 (mm)	3000	3000	3000	3000
4.5 Height of mast, extended		h4 (mm)	4275	4275	4275	4275
4.7 Height of overhead guard (cabin)		h6 (mm)	2260	2260	2260	2260
4.8 Seat height		h7 (mm)	1280	1280	1280	1280
4.12 Towing coupling height		h10 (mm)	380	380	380	380
4.19 Overall length		l1 (mm)	4180	4180	4230	4230
4.20 Length to fork face		l2 (mm)	3110	3110	3160	3160
4.21 Overall width		b1 (mm)	1485	1485	1485	1485
4.22 Fork dimensions DIN ISO 2331		s / e / l (mm)	50/140/1070	50/140/1070	55/150/1070	55/150/1070
4.23 Fork carriage to ISO 2328, class / type A, B			3A	3A	3A	3A
4.24 Width of fork carriage		b3 (mm)	1380	1380	1380	1380
4.31 Ground clearance, below mast		m1 (mm)	145	145	145	145
4.32 Ground clearance, centre of wheelbase		m2 (mm)	180	180	180	180
4.34.1 Aisle width for pallets 1000 x 1200 crossways		Ast (mm)	4627	4627	4667	4667
4.35 Turning radius		Wa (mm)	2790	2790	2830	2830
4.36 Turning point minimum distance from the Truck Center Line	b13 (mm)	900	900	900	900	
Performance	5.1 Travel speed, with / without load	(km/h)	21/23	25.5/25.5	21/23	25.5/25.5
	5.2 Lifting speed, with / without load	(mm/s)	400/480	435/560	400/480	415/560
	5.3 Lowering speed, with / without load	(mm/s)	530/410	470/385	530/410	470/385
	5.5 Tractive force (at 2km/h) with / without load	(KN)	33/21	36/21(petrol)/39.5/21 (LPG)	33/21	36/21(petrol)/39.5/21 (LPG)
	5.7 Gradeability (at 2km/h) with / without load	(%)	20	20	20	20
5.10 Service brake		Mechanical/hydraulic	Mechanical/hydraulic	Mechanical/hydraulic	Mechanical/hydraulic	
Drive	7.1 Engine manufacturer/Engine type		Weichai WP4.1	PSI 4.3L	Weichai WP4.1	PSI 4.3L
	7.1 Engine (Optional)		ISUZU 6BG1QC-05	-	ISUZU 6BG1QC-05	-
	7.2 Engine power in compliance with ISO 1585	(kW)	62.5	70(petrol)/76.5(LPG)	62.5	70(petrol)/76.5(LPG)
	7.3 Rated RPM	(r/min)	2300	2300	2300	2300
7.4 Cylinder number/displacement	(cm)	4/4090	6/4300	4/4090	6/4300	
Others	7.9 On-board voltage	(V)	24	12	24	12
	8.1 Drive control type		Power Shift	Power Shift	Power Shift	Power Shift
	10.4 Volume fuel tank	(l)	90	90	90	90
	10.7 Sound pressure level LpAZ (at the driver's seat)	(dB(A))	89	90	89	90
10.8 Drawbar, model/Type DIN 15170		Pin	Pin	Pin	Pin	

>> Mast Specifications

KBG(D)40								
Mast type	Max. height	Rated capacity load center 500mm		Height		Free-lift height		Mast angle
		single tyres	double tyres	closed height	with carriage	without carriage	with carriage	
	mm	(kg)	(kg)	mm	mm	mm	mm	front/back
VM Standard wide-view	3000	4000	4000	2390	4275	150	150	6/12
	3300	4000	4000	2540	4575	150	150	6/12
	3500	4000	4000	2640	4775	150	150	6/12
	4000	3800	4000	2940	5275	150	150	6/6
	4500	3500	4000	3190	5775	150	150	6/6
	5000	3100	3700	3440	6275	150	150	6/6
VFHM Full free triplex	3920	3900	4000	2245	5195	1399	1020	6/6
	4350	3800	4000	2390	5625	1544	1165	6/6
	4500	3500	4000	2441	5775	1595	1216	6/6
	4700	3400	3700	2507	5975	1661	1282	6/6
	4800	3400	3700	2540	6075	1694	1315	6/6
	5000	3000	3600	2640	6275	1794	1415	6/6
	5400	2800	3400	2765	6675	1919	1540	3/6
	6000	2000	3200	3005	7275	2159	1780	3/6

KBG(D)50S								
Mast type	Max. height	Rated capacity load center 500mm		Height		Free-lift height		Mast angle
		single tyres	double tyres	closed height	with carriage	without carriage	with carriage	
	mm	(kg)	(kg)	mm	mm	mm	mm	front/back
VM Standard wide-view	3000	5000	5000	2390	4275	150	150	6/12
	3300	5000	5000	2540	4575	150	150	6/12
	3500	5000	5000	2640	4775	150	150	6/12
	4000	4600	4800	2940	5275	150	150	6/6
	4500	4500	4600	3190	5775	150	150	6/6
	5000	4000	4600	3440	6275	150	150	6/6
VFHM Full free triplex	3920	4800	4800	2245	5195	1399	1020	6/6
	4350	4700	4700	2390	5625	1544	1165	6/6
	4500	4500	4600	2441	5775	1595	1216	6/6
	4700	4200	4600	2507	5975	1661	1282	6/6
	4800	4200	4600	2540	6075	1694	1315	6/6
	5000	3800	4500	2640	6275	1794	1415	6/6
	5400	3400	4300	2765	6675	1919	1540	3/6
	6000	2500	4000	3005	7275	2159	1780	3/6



NOTE: The performance depicted represents nominal values obtained under typical operating conditions. Performance data may vary due to motor and system efficiency tolerances, and under different working conditions. The description and specifications included on this data sheet were in effect at time of printing. Linde Material Handling Pty Ltd reserves the right to make improvements and changes in specification or design without notice and without incurring obligation.